

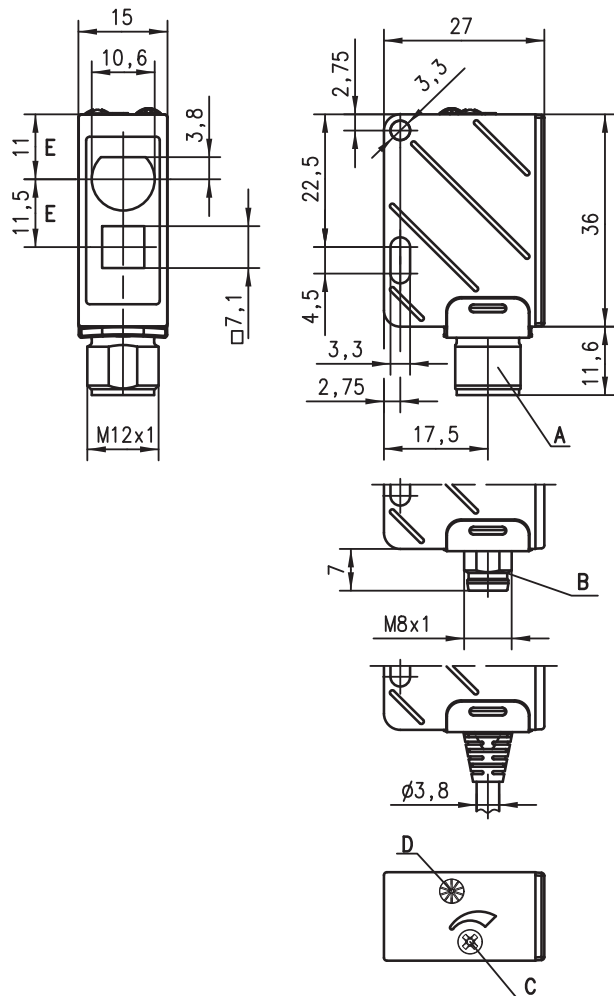
RTR 25

Diffuse reflection light scanner

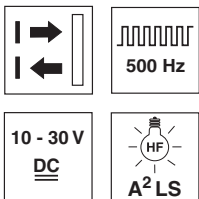
Part No. 501 08923



Dimensioned drawing



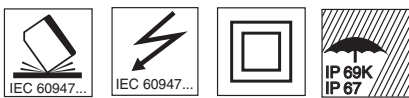
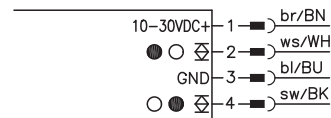
- A M12 connector
- B M8 connector
- C Scanning range adjustment
- D Indicator diode
- E Optical axis



5 ... 350 mm

- Scanning range adjustable
- A²LS - Active Ambient Light Suppression
- Push-pull switching outputs
- Suitable for horizontal and vertical positioning
- Visible light spot for exact alignment

Electrical connection



Accessories:

(available separately)

- M12 connectors (KD ...)
- Ready-made cables (K-D ...)
- Mounting systems

We reserve the right to make changes • 25_d06gb.fm

Specifications

Optical data

Typ. scanning range limit (white 90%) ¹⁾	5 ... 350mm
Scanning range ²⁾	see tables
Mechanical adjustment range	40 ... 350mm
Light source	LED (modulated light)
Wavelength	660nm (red light)

Timing

Switching frequency	500Hz
Response time	1ms
Delay before start-up	≤ 100ms

Electrical data

Operating voltage U_B	10 ... 30VDC (incl. residual ripple)
Residual ripple	≤ 15% of U_B
Bias current	≤ 20mA
Switching output/function	2 push-pull switching outputs ³⁾ pin 2: PNP dark switching, NPN light switching pin 4: PNP light switching, NPN dark switching
Signal voltage high/low	≥ ($U_B - 2V$) ≤ 2V
Output current	max. 100mA
Scanning range adjustment	mechanical via multiturn potentiometer

Indicators

Yellow LED	object detected
------------	-----------------

Mechanical data

Housing	plastic
Optics cover	plastic
Weight (plug/cable)	15g/55g
Connection type	M8 and M12 connector 4-pin or cable 2,000 mm, 4x0.2mm ²

Environmental data

Ambient temp. (operation/storage)	-20°C ... +55°C/-40°C ... +70°C
Protective circuit ⁴⁾	2, 3
VDE safety class ⁵⁾	II, all-insulated
Protection class	IP 67, IP 69K ⁶⁾
LED class	1 (acc. to EN 60825-1)
Standards applied	IEC 60947-5-2

- 1) Typ. scanning range limit: max. attainable range without performance reserve
- 2) Scanning range: recommended range with performance reserve
- 3) The push-pull switching outputs must not be connected in parallel
- 4) 2=polarity reversal protection, 3=short-circuit protection for all outputs
- 5) Rating voltage 250VAC
- 6) IP 69K test acc. to DIN 40050 part 9 simulated, high pressure cleaning conditions without the use of additives, acids and bases are not part of the test

Order guide

	Designation	Part No.
Cable with M12 connector cable length: 150mm	RTR 25/66.1-200, 150-S12	501 02839
Cable with M12 connector cable length: 150mm, set with connector KD 095-4	Set RTR 25/66.1-200, 150-S12+KD	501 03044

Tables

Adjustment:

$T_W = 300$ mm on
white 90%

Working range 40 ... 150mm

Diagrams

Remarks

- Particularly suitable for horizontal and vertical positioning (conveyor and storage technology).
- **Approved purpose:**
The light scanners are optical electronic sensors for optical, contactless detection of objects.