



MA 8.1

Connector unit for BCL 8

Part no.: 501 04900



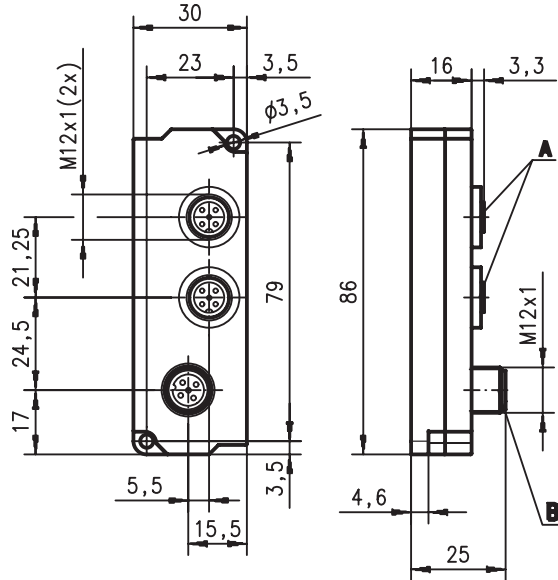
10 - 30 V
DC



- Connector unit for easy connection of the BCL 8
- M12 connector
- Operating temperature 0°C ... +50°C
- Simultaneous use of input and output

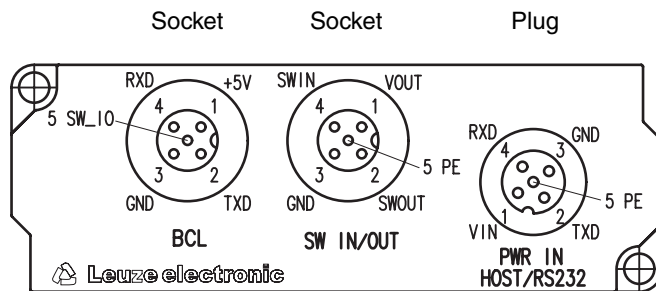


Dimensioned drawing



- A 5-pin socket
- B 5-pin plug

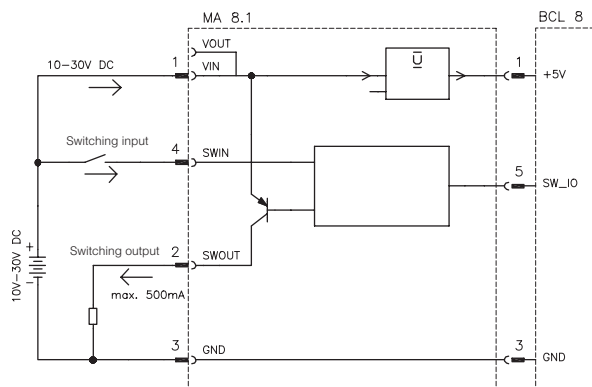
Electrical connection



Accessories:

(available separately)

- Cable KB 008 ... for the connection of the connector unit to the BCL 8 also provides connections for RS 232, Power, and I/O, see separate data sheet



We reserve the right to make changes • ma8_1_e.fm



Specifications

Electrical data

Operating voltage U_B	10 ... 30VDC (power supply for the MA 8.1 must feature a safe electrical separation through double insulation and safety transformer acc. to EN 60742 (IEC 60742)).
Power consumption	max. 0.5W (without BCL 8)

Mechanical data

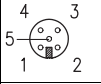
Housing	plastic
Protection class	IP 67 with M12 cap screwed on and/or cable attached
Dimensions	86x30x25mm ³ (WxHxD)
Weight	70g
Connection type	M12 connector

Environmental data

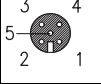
Ambient temp. (operation/storage)	0°C ... +50°C/-30°C ... +80°C
Air humidity	max. 90% rel. humidity, non-condensing
Vibration	IEC 60068-2-6, test FC
Standards applied	acc. to IEC 801
Electromagnetic compatibility	EN 61326-1 EN 61000-4-2,-3,-4 and -6 EN 55022, CE CISPR 22, Class B, ITE FCC Part 15, Class B, ITE

Connector pin assignment

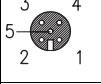
Connector PWR IN-HOST/RS232 (max. cable length: 10m)

Pin No.	In-/output (MA perspective)	Signal	
			
1	I	Supply voltage	10 ... 30VDC
2	O	RS 232/TxD	Data from the BCL 8 to the host
3	I	GND	
4	I	RS 232/RxD	Data from the host to the BCL 8
5	I	PE	Protective Earth

Socket SW IN/OUT (max. cable length: 10m)

Pin No.	In-/output (MA perspective)	Signal	
			
1	O	Sensor/actuator supply voltage	10 ... 30VDC, coupled to supply voltage
2	O	SWOUT	Switching output, max. 500mA
3	O	GND	
4	I	SWIN	Switching input, 10 ... 30V
5	O	PE	Protective Earth

Socket BCL (max. cable length: 3m)

Pin No.	In-/output (MA perspective)	Signal	
			
1	O	BCL supply voltage	5.2 ... 5.6VDC
2	I	RS 232/TxD	Data from the BCL 8 to the host
3	O	GND	
4	O	RS 232/RxD	Data from the host to the BCL 8
5	I/O	SWIN/SWOUT	Programmable switching input/output of the BCL 8

Order guide

	Type	Part No.
Connector unit for BCL 8	MA 8.1	501 01699