

## MA 248i PROFINET Gateway



## PROFINET-IO RT Gateway



### Features

- Connector unit for Leuze RS 232 devices to PROFINET-IO RT
- Plug and Play by easy connection and configuration
- Integrated Switch
- Command / Transparent / Collection Mode
- Comprehensive device control directly via PROFINET PLC
- Easy connection via M12 connector
- Protection Class IP 65

### Specifications

#### Electrical data

Operation voltage 18 ... 30 VDC  
Maximum current max. 3A

#### Connection

Fieldbus (HOST) PROFINET-IO RT  
Device RS 232  
Connection type 2 x M12 – PROFINET-IO RT  
1 x connector – RS232  
1 x M12 – Power IN / GND and SWIO  
1 x M12 – Power OUT / GND and SWIO

#### Connector pin assignment



#### Mechanical data

Housing diecast aluminum  
Dimensions (H x W x D) 130 x 90 x 41mm  
Weight 0,7 kg  
Protection class IP 67

#### Environmental data

Temperature (operation) 0 ... 55°C  
Temperature (storage) -20°C ... 60°C  
Air humidity max. 90% rel. Humidity, non-condensing

#### Indicators

LINK0 , RX/TX0  
LINK1 , RX/TX1  
SF (System Fault)  
BF (Bus Fault)

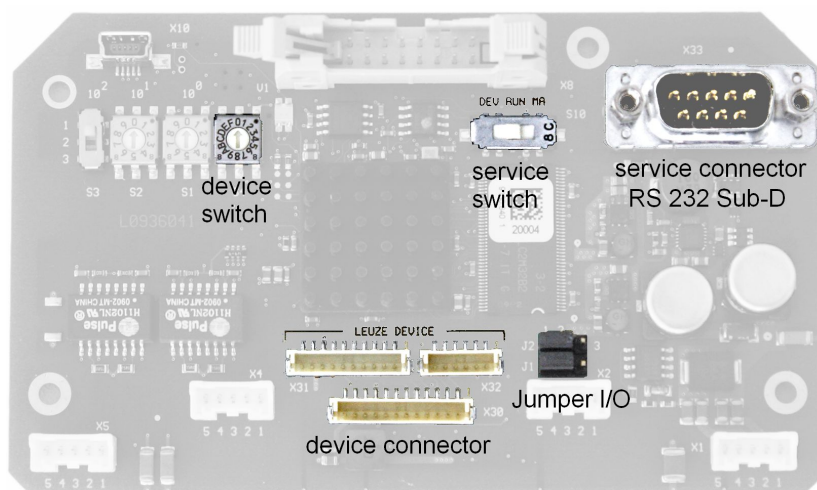
## Device support

MA 248*i*

Following devices are supported by the PROFINET Gateway and can be selected by the device switch on the board. Corresponding connection cables are available. The PROFINET Gateway is parameterized by the device switch to the according Leuze device. A configuration is not necessary.

### Device switch:

Pos	Leuze Periphery
0	Default Setting
1	BCL 8
2	BCL 22
3	BCL 32
4	BCL 500i
5	BCL 90
6	LSIS 120
7	LSIS 400
8	Hand-held scanner
9	RFID (RFI xx, RFM xx, RFU xx)
10	BPS 8 / 32
11	AMS
12	MA 3x
13	other RS 232 devices



### other Features:

- Service switch for configuration MA 248*i* and Leuze device via RS 232
- Jumper I/O to control multiple MA 248*i* at the same time via trigger signal
- Device connector for direct connection of Leuze devices

## Order guide

Type		Order code
MA 248 <i>i</i> PROFINET Gateway	RS232 - PROFINET-IO RT	50112891
MA 208 <i>i</i> Ethernet TCP/IP Gateway	RS232 - Ethernet TCP/IP	50112892
MA 204 <i>i</i> PROFIBUS Gateway	RS232 - PROFIBUS	50112893