



Ident-System HFU4500D



Combined mobile RFID and 1D / 2D-Code Reader, cable



Features

- Selectable functions:
 - Read + display Barcode/ 2D,
 - Read and display RFID
 - Read 1D /2D and Write to Transponder
 - Read all
- Permanent connection to PLC
- Easy to use transfer of messages from PLC to HFU45xx display
- Wired with spiral cable RS232
- Cable within delivery content
- Power supply external or PIN9 with one cable type separate

Technical Data

Electrical Data

RFID	
Frequency	UHF (868MHz/915Mhz)
Transponder protocol	EPC1Gen2
Read-/Write range	max. 450mm*
Antenna size	120x70mm
Optical CODE reader	
Opt.System	Imager, int. LED
Code types	1D / 2D Codes
Range	1D max. 350mm**
	2D max. 150mm**
Module	0.15 to 1mm
Cell size	0.2 to 0.9mm
Power Supply	6VDC,ext. power

Code and Transponder types

2D Codes	ECC200, QR, PDF417,ECC200 GS1-Databar-family
1D Codes	Code 39 /128, Code 93 , 2/5 Inteleaved ,EAN 8/13,UPC
readable Transponders	EPC1Gen2 (NXP G2XM/,G2XI,, Alien higgs)

Interface

Interface type	RS232, 9pol Sub-D
Emulation	USB-COM-Port with Converter cable

Mechanical Data

Display	OLED (128x64)
Key board	19 keys
Weight	380 g (without cable)
Dimensions	138 x 135 x 150 mm
Material	ABS, silver grey

Environmental Data

Valid Standards	EN 301489-3 EN 302208-1
Protection class	IP54
Temperature (operation)	-20 to 50 °C
(storage)	-20 to 50 °C

* depends on used Transponder

**depends on used optical 1D / 2D code type

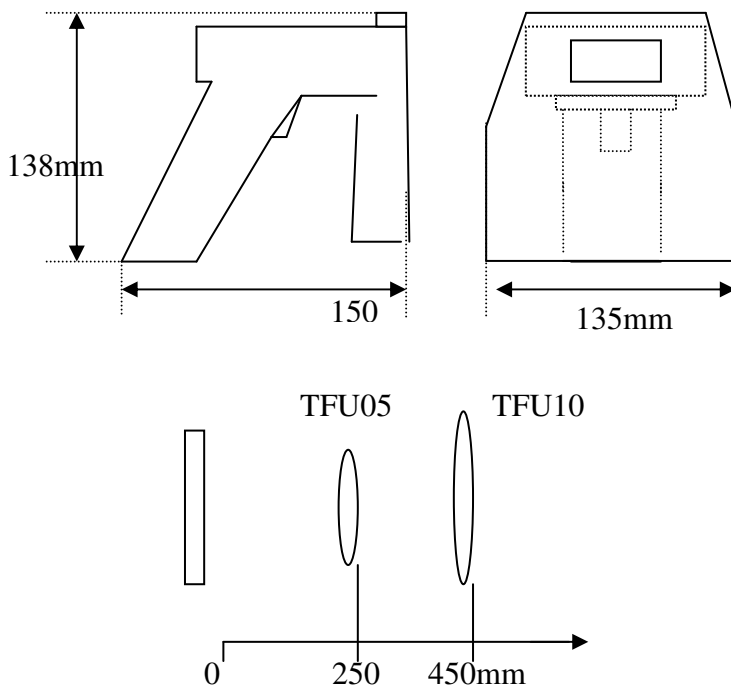


Notes

The combined Hand held HFU4500D is very flexible in use through selecting functions with display and keyboard. The RFID-part works on UHF (868/915MHz, ISO18000-6). The optical-part (1D/2D) is an imager and reads typical codes after release. The Data output is RS232 via cable. The functions select and feedback messages onto the display is possible via serial commands (e.g. from PLC). Please note when reading Bar codes an angle to the code avoids total reflexion. For the RFID part are all metal parts disturbing / reducing the functionality. The active area is in front of the scan window and in front of the antenna below the scan window of the device.

Labels

Dimensions and Working area



Order information

Type
HFU4500D

1D / 2D // RFID UHF Hand held with RS232- cable, Cable length about 2m

Article number
50113280

Accessories

Type

Article number

NT Hx5x0

Power plug 230VAC for Base or RS232 ext.

50110676

KB-RS232-USB

cable with converter, RS232-USB A, 1m

50110677