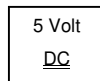




Ident-System HFM3520D



Combined mobile RFID and 1D-Code Reader, Bluetooth



Features

- Selectable functions:
 - Read and display Barcode,
 - Read and display RFID
 - Read Barcode and Write to Transponder
- Permanent connection to PLC
- Easy to use transfer of messages from PLC to HFM35xx display
- Wired less with Bluetooth
- Bluetooth bas, power supply and connection cable to order separatly

Technical Data

Electrical Data

RFID
 Frequency 13.56MHz (ISO15693)
 Read-/Write range max. 30mm*
 Antenna size 80x60mm

BARCODE

1D-Laser Red light – Laser
 Code types linear Barcodes
 Range max. 450mm**
 Modul 0.15 to 1mm
 Memory 2MB

Power Supply 6VDC, Battery

Interface

Bluetooth Class 1 , V1.2
 Interface type (Base) RS232, 9pol Sub-D
 Emulation (Base) USB-COM-Port with Converter cable

Code and Transponder types

readable Barcodes Code 39, Code 128, Code 93
 EAN 8/13, 2/5 Int. after release
 readable Transponder Phillips I-Code SLI, Texas TAG HFI,

Mechanical Data

Display OLED (128x64)
 Key board 19 keys
 Weight 172 g (without battery)
 Dimensions 138 x 56 x 120 mm (without base)
 Material ABS, silver grey
 Battery Li 1600mAh

Environmental Data

Valid Standards EN 301489-3
 EN 300220-1
 EN 302208-1
 IEEE 802.15.1

Laser Class 2 IEC 60825-1

Protection class IP54
 Temperature (operation) -20 to 50 °C
 (storage) -20 to 50 °C

* depends on used Transponder
 **depends on used Barcode type



Notes

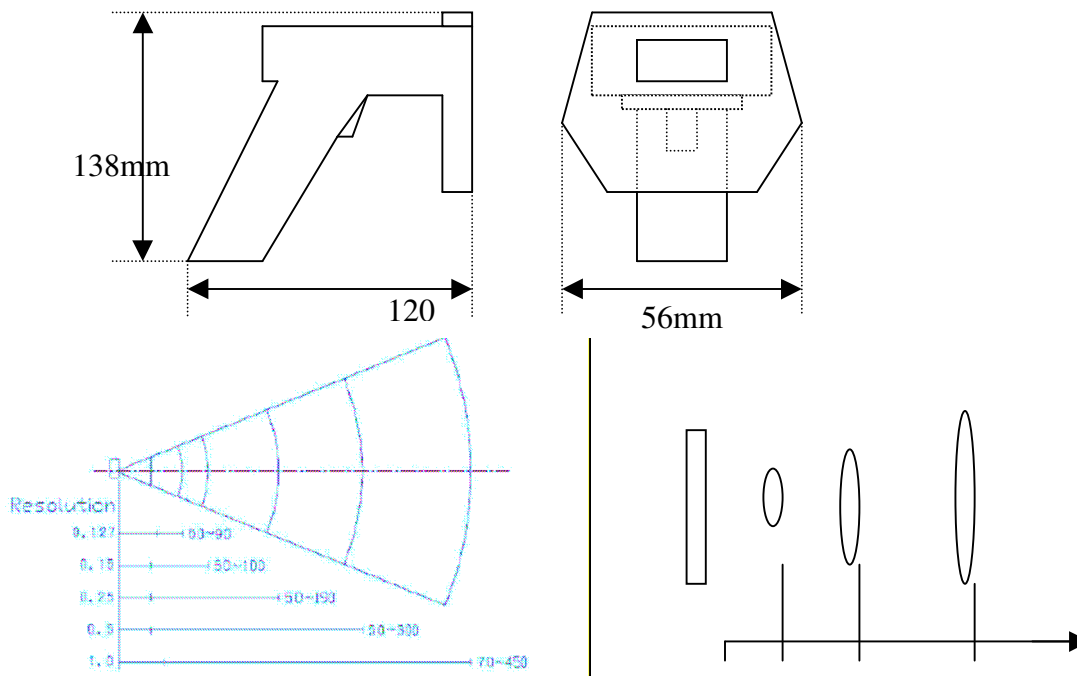
The combined Hand held HFM3520D is very flexible in use through selecting functions. Read and Display Barcode, Read and Display RFID, Read Barcode and Write data to transponder, Read Uni (Read Barcode or RFID) and Write RFID. The RFID-part works on 13.56MHz according to ISO15693. The Barcode-part is a red light laser (650nm) and reads the following codes: Code 128, Code 39 and Code 2/5 interleaved. The Data output is via Bluetooth to the base. In addition it is possible to send feedback messages onto the display of the HFM.

Please note when reading Bar codes an angle to the code avoids total reflexion. For the RFID part are all metal parts disturbing / reducing the functionality.

The active area is in front of the scan window and in front of the antenna of the device.

Labels

Dimensions and Working area



Order information

Type
HFM 3520D

Barcode/RFID Hand held wireless,
with Bluetooth Class 1, with battery
(please order base separatly)

Article number
5011551

Accessories

Type

Base Hx520
KB-RS232-Base Hx520
NT Hx5x0

Bluetooth base with charger , RS232
cable 2m, RS232 for Base
Power plug 230VAC for Base or RS232 ext.

Article number

50110672
50110675
50110676

KB-RS232-USB

cable with converter, RS232-USB A, 1m

50110677