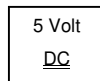




## Ident-System HFM3500D



### Combined mobile RFID and 1D-Code Reader, RS232



### Features

- Selectable functions:
  - Read and display Barcode,
  - Read and display RFID
  - Read Barcode and Write to Transponder
- Permanent connection to PLC
- Easy to use transfer of messages from PLC to HFM35xx display
- Wired with spiral cable RS232
- Cable within delivery content
- Power supply external or PIN9 with one cable type

### Technical Data

#### Electrical Data

RFID  
 Frequency 13.56MHz (ISO15693)  
 Read-/Write range max. 30mm\*  
 Antenna size 80x60mm

#### BARCODE

1D-Laser Red light – Laser  
 Code types linear Barcodes  
 Range max. 450mm\*\*  
 Modul 0.15 to 1mm  
 Memory 2MB

Power Supply 4.5-6VDC, PIN9 /ext.

#### Interface

Interface type RS232, 9pol Sub-D  
 Emulation USB-COM-Port with Converter cable

#### Code and Transponder types

readable Barcodes Code 39, Code 128, Code 93  
 EAN 8/13, 2/5 Int. after release  
 readable Transponder Phillips I-Code SLI, Texas TAG HFI,

#### Mechanical Data

Display OLED (128x64)  
 Key board 19 keys  
 Weight 172 g (without cable)  
 Dimensions 138 x 56 x 120 mm  
 Material ABS, silver grey

#### Environmental Data

Valid Standards EN 301489-3  
 EN 300220-1  
 EN 302208-1  
 IEEE 802.15.1

Laser Class 2 IEC 60825-1

Protection class IP54  
 Temperature (operation) -20 to 50 °C  
 (storage) -20 to 50 °C

\* depends on used Transponder  
 \*\*depends on used Barcode type

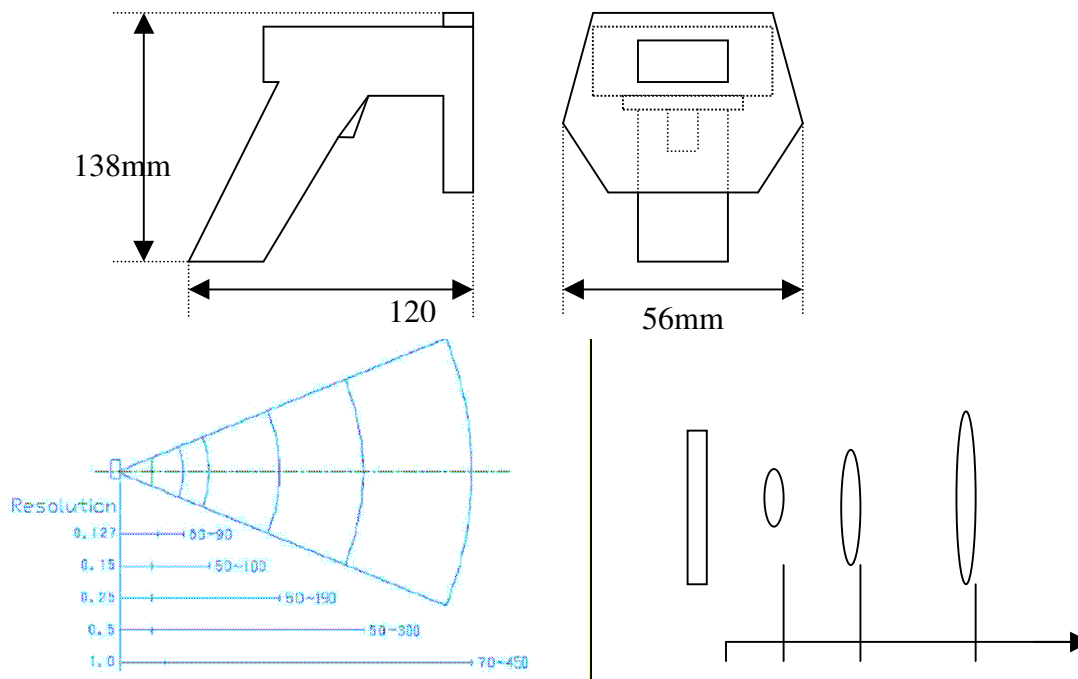


## Notes

The combined Hand held HFM3500D is very flexible in use through selecting functions. Read and Display Barcode, Read and Display RFID, Read Barcode and Write data to transponder, Read Uni (Read Barcode or RFID) and Write RFID. The RFID-part works on 13.56MHz according to ISO15693. The Barcode-part is a red light laser (650nm) and reads the following codes: Code 128, Code 39 and Code 2/5 interleaved. The Data output is RS232 via cable. In addition it is possible to send feedback messages onto the display of the HFM. Please note when reading Bar codes an angle to the code avoids total reflexion. For the RFID part are all metal parts disturbing / reducing the functionality. The active area is in front of the scan window and in front of the antenna of the device.

## Labels

## Dimensions and Working area



## Order information

**Type**  
HFM 3500D

Barcode/RFID Hand held for cable connection, RS232

**Article number**  
50110552

## Accessories

**Type**

**Article number**

NT Hx5x0

Power plug 230VAC for Base or RS232 ext.

50110676

KB-RS232-USB

cable with converter, RS232-USB A, 1m

50110677