

Mounting CPSET-M03/-M04

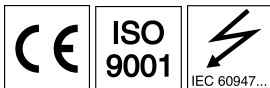


Required tools:

- 3, 4 and 6 mm Allen-type wrench
- 16 mm hexagonal wrench
- 17 mm hexagonal wrench
- Spirit level
- Electric drill with a 10 mm stone drill bit

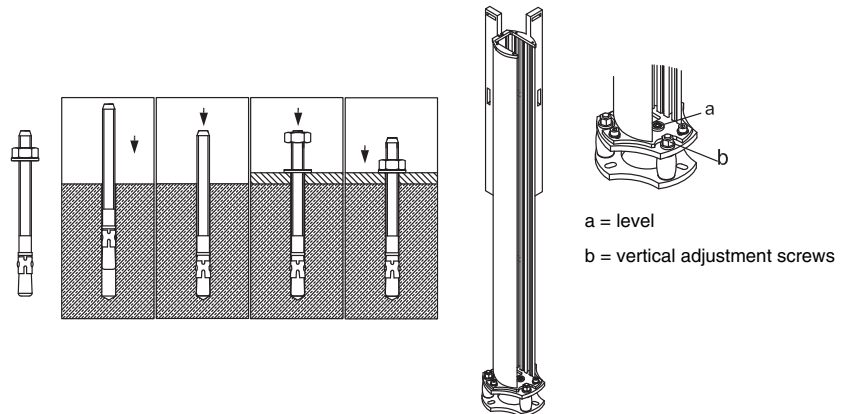
Special settings for CPR 400/3-mxI02/R2

- Output „OSSD-state“ at M3 (red)
- Activation of internal start/restart interlock, start button at L5 or M1
- Muting time limit infinite



Leuze electronic GmbH + Co. KG
 Liebigstrasse 4
 82256 Fuerstenfeldbruck / Germany
 Phone +49 8141 5350-0
 Telefax +49 8141 5350-190
 info@leuze.de
 www.leuze.com

Procedure



1. The devices come already mounted in the device column UDC. The installation height can be adjusted by loosening the Allen screws of the device brackets in the column.
2. Determine the mid-points for mounting the columns and mark them on the floor.
3. Start at the mid-points, mark the connecting lines on the floor for a length of approx. 90 mm.
4. Place the drill template on each mid-point, orienting it according to the connecting lines. Mark the hole positions.
5. Drill mounting holes 80 mm deep and insert floor braces.
6. Set the columns, screw them firmly into place and adjust roughly using the level (a). Using the adjustment screws (b), adjust the vertical position of the device columns using the spirit level.
7. Fix MMS-A, the pre-assembled muting sensor holder, at the vertical slot at the back side of the device column with the receiver CPR and the transmitter CPT
8. Connect the supply cable of the transmitter CPT to socket X5 of the receiver CPR.
9. Connect the muting sensor cables to the sockets X1 to X4 of the receiver CPR (according to the drawing below).
10. Connect the cable with a 12-pin plug to the machine interface /R2 of the receiver, integrate the safety outputs in the machine control circuit and connect power supply (brown: 24VDC, rose: 0VDC, green/yellow: earth; red: M3).
11. Pre-adjust muting sensor holders MMS-A so, that on simultaneous activation of a couple of opposite light scanners the muting object (box, palette, ...) can be safely distinguished from persons entering the danger area.
12. Switch on the devices and ensure that they are adjusted appropriately. Optimum adjustment has been achieved when the orange weak signal indicator on the devices is not lit up.
13. Adjust muting sensors. While two opposite muting sensors are activated, the integrated LED muting indicator lights up.

