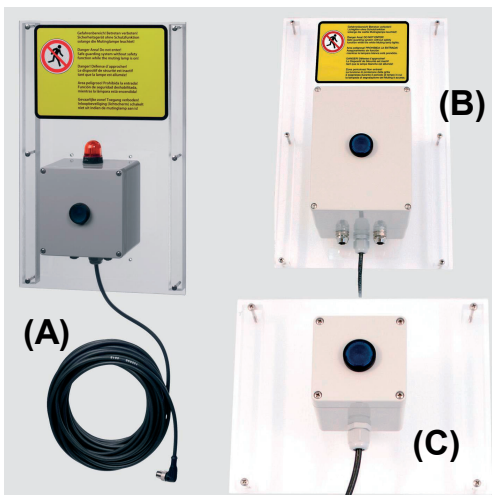
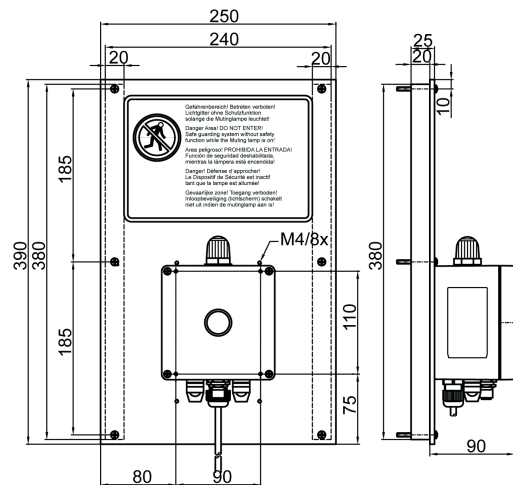


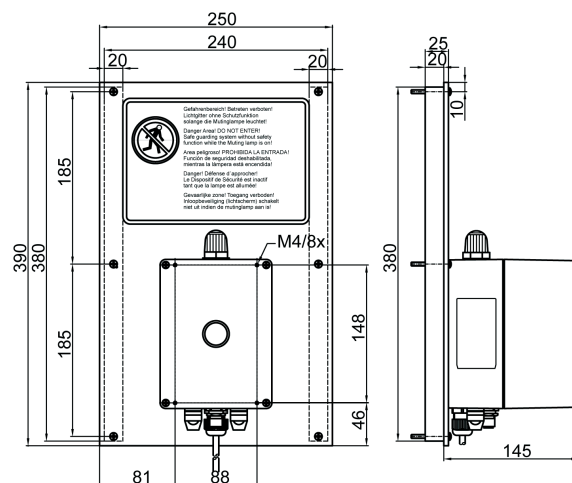
Part No. 607368



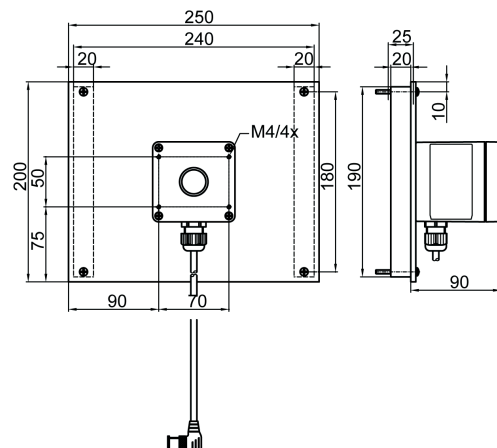
Dimensional drawings



AC-BB-OPT (A)



AC-BB-IND (B)



AC-BB-RES (C)

Function

The AC-CPB display and control units are intended for access guarding with and without muting. Depending on version, they can be used to

- reset the restart-interlock
- display the OSSD state by illuminating the button (after configuring with SafetyLab)
- if applicable, display the muting state by means of a LED indicator (A, B)
- if applicable, evaluate 2 independent induction loops as muting signals (B)

The 3 devices are designed for direct connection to the 8-pin local socket of Safety Light Curtains and Multiple Light Beam Safety Devices of the COMPACTplus series. AC-CPB are mounted to a hard guard using supplied plastic strips

Attention!

These display and control units must be mounted so that the entire danger zone can be viewed from the installation location and so that any switched-on muting indicators can be clearly seen upon entry into the danger zone.

Features

- Acknowledge and override via illuminated button
- Display of the muting state by LED indicator
- Simple mounting on hard guards by means of plastic strips
- Connection via M12 plugs / sockets

We reserve the right to make changes

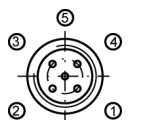
Mounting

- Mount the device on the hard guard so that the guard is between the device and the plastic strips.
- Establish the electrical connection.

Electrical connection

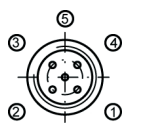
The 8-pin angled plug is to be connected to the local socket of the receiver. Connect the two muting sensors to the 3-pin M12 plug on the AC-CPB-OPT and AC-CPB-IND devices. Connection to COMPACTplus receiver / transceiver: via 8-pin M12 plug; for assignments, see COMPACTplus user's guide

Connection of the induction loops to the AC-CPB-IND:



Pin	Color
1	Brown
3	Blue

Connection of muting sensors to the AC-CPB-OPT:



Pin	Color	Inputs/outputs
1	Brown	+24V DC
3	Blue	0V
4	Black	Sensor signal

Configuration

To correctly control the AC-CPB, the following changes to the COMPACTplus factory settings must be made:

- Basic configuration: 2-sensor parallel muting (L3, L4)
- Control and indication signals: L2 = output – illumination of the reset button
- Start/restart: (re)start= manual via start button
- Start/restart signal: signal link = <no link, only one input>, 1st input = L1 input
- Muting restart: input logic: OR, 1st input: L1 input
- Message signal output: function A = direct input, input A = OSSD switching state, output A = L2 output

Technical data

Mechanical data

Housing and fastening clamp	plastic
Cable length to CPR local socket	10 m
Weight	< 2.5 kg

Electrical data

Operating voltage U_B	24VDC \pm 20%
Current consumption	< 150 mA
Switching current via button	1 mA ... 1 A

Environmental data

Ambient temp. (operation/storage)	-25°C ... +60°C / -30°C ... + 70°C
VDE Safety Class	III

Ordering information

Art. no.	Article	Description
426387	AC-CPB-IND	Display and control unit
426388	AC-CPB-OPT	Display and control unit
426389	AC-CPB-RES	Display and control unit
426353	AC-2LP1	2 induction loops for AC-CPB-IND
426371	MSSU-H46	Muting sensor set with 2 HRT46B
150682	CB-M12-5000-3GF/GM	Connection cable 3-pin, 5 m
150684	CB-M12-15000-3GF/GM	Connection cable 3-pin, 15 m