

## MSI-mx/Rx.2



### Additional information to the safety interface MSI-mx/Rx.2 for type 2 sensors

The modular safety interface components of the MSI family serve as connecting links between one or more optoelectronic protective devices and the machine controls. The individual versions offer various safety-related additional functions, such as start/restart interlock, EDM (external device monitoring), test monitoring of type 2 sensors, single break/double break control, or muting. All these components are obtainable either with relay outputs or with fail-safe pnp semiconductor outputs. The 'x' versions also allow for the connection of safety switches or emergency STOP buttons in accordance with category 4.

Please note the following differences from the MSI-mx/Rx Connecting and Operating Instructions:

- Significant deviations from the MSI-mx Connecting and Operating Instructions that need to be observed when connecting and commissioning the MSI-mx/Rx.2 are described in this datasheet.



In the MSI-mx/Rx.2 special variant the safety input channels are designed to take only AOPD type 2 sensors. When putting the MSI-mx/Rx.2 into operation, you should be familiar with the Connecting and Operating Instructions for the MSI-mx, as well as with the datasheet containing additional information for the MSI-mx/Rx.2 special version.

### Features of the MSI-mx/Rx.2 special version

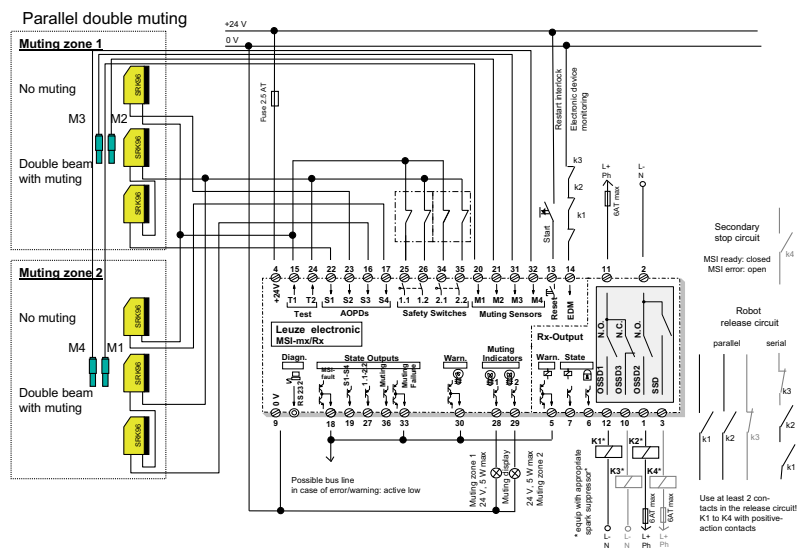
- Safety interface with muting, type 2, in accordance with IEC/EN 61496-1, EN-954-1.
- 4 type 2 AOPDs can be connected.
- Two further safety switches for category 4 can be connected.

### Technical data for the MSI-mx/Rx.2 special version

See technical data in the MSI-mx/Rx Connecting and Operating Instructions, page 42	
OSSD* response time of the MSI-mx/Rx.2 (without AOPD) AOPD type 2	60 ms
Safety switches	60 ms
OSSD* reset time	300 ms

\* ) OSSD: Safety related switching output (Output Signal Switching Device)

### Electrical connections



Connection example with MSI-mx/Rx.2 incorporating AOPD SRK96 type 2 sensors and two safety switches.

### Order Details

Type	Art. no.
MSI-mx/Rx.2	549995
MSI-AC 115 (power supply 24 V DC, 0.8 A)	549940
MSI-AC 230 (power supply 24 V DC, 0.8 A)	549908
/Rx output subassembly (replacement part)	590211
MSI diagnostic set MSI-SWC	549932