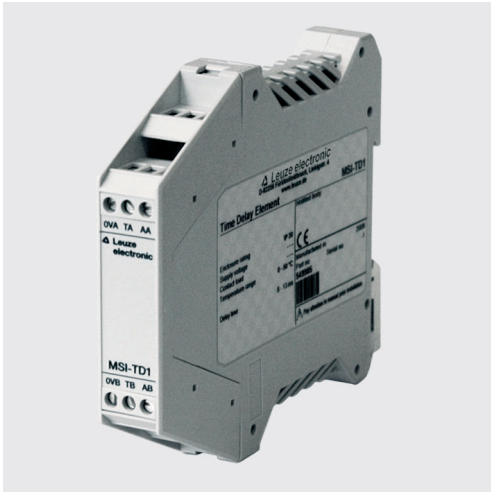


MSI-TD1

Time Delay Element



Art. no.. 603612

Time Delay Element for MSI-mxE/Rx.2 Safety Interface

The safety-related evaluation of the MSI-mxE/Rx.2 requires the full assignment of the "S1 – S4" inputs in order to uncover any possible faults, such as wire breaks or short circuits.

If, for example, only one AOPD is planned for the monitoring with the MSI, the MSI-TD1 can be used as a cost and time-saving alternative.

Two time-delayed elements are provided here. Up to two MSI-mxE/Rx.2 can therefore be connected.

The following jumper assignments can be combined with MSI-TD1 for the full assignment of the "S1 – S4" inputs:

- S1/S3
- S2/S4

MSI-TD1 features

- Compact construction (Width 17.5 mm)
- MSI-mxE/Rx.2-compatible

Important notes!

The Time Delay Element must only be used for the MSI-mxE/Rx.2 MSI Interface.

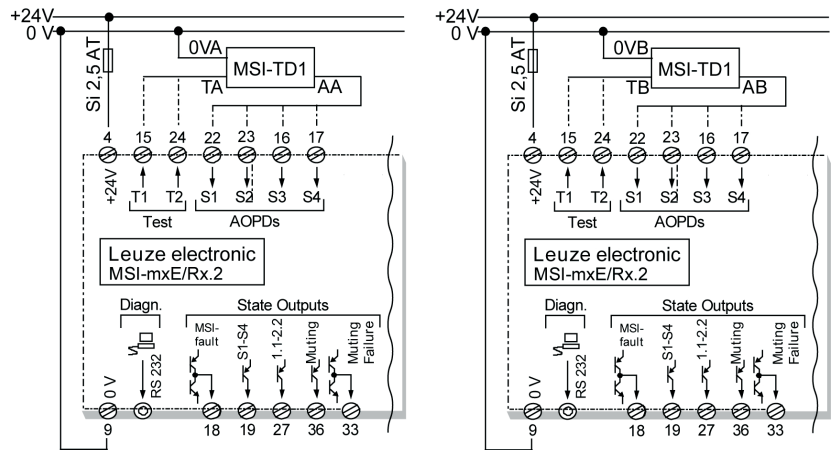
All "S1 – S4" inputs must receive the T1 and T2 test signals delayed. This happens by connecting AOPDs or via the MSI-TD1.

The following connection combinations are possible with MSI-TD1:

Test output		Input
T1 →	MSI-TD1 →	S2 (+S4)
T2 →	MSI-TD1 →	S1 (+S3)

! Please take note of the AOPD connection combinations with the corresponding jumper notes of the MSI-mxE/Rx.2 supplementary information.

Electrical connection



! Knowledge of the following publications is required to put the MSI-mxE/Rx.2 Safety Interface into operation:

- MSI-mx (Art. Nr. 603600) connecting and operating instructions
- MSI-mxE/Rx.2 supplementary information (Art. no. 603611)

Technical data

Test signal delay:	3 – 6 ms
Ambient temperature:	0 °C ... + 55 °C
Storage temperature:	-25 °C - +70 °C
Type of protection:	IP20

Connection assignment:	0 V:	Terminal:
	Input test signal:	OVA, OVB
	Output signal:	TA, TB
		AA, AB

Ordering information

Article no.	Article
549985	MSI-TD1
549984	MSI-mxE/Rx.2
549932	MSI-SWC, Diagnostics Set
590211	/Rx output module (replacement part)

Subject to change