

Mounting Instruction AS-i Adapter



Adapter for bus connection and 24 V power supply

- For connection of AS-i slaves, which need an auxiliary 24 Volt power supply due to their current consumption.
- Connection of a functional earth wire (FE) for better EMC possible
- M12 connection technology to the AS-i slave.

Installation

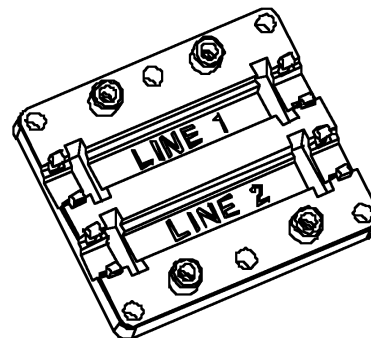
- Mount bottom part on plain surface by means of 2 M4x16 screws.
- Insert the sealing elements included in the supply into the bottom part.
- Insert flat cables into the bottom plate acc. to instructions.
- Place top part on bottom part and evenly screw it by means of 4 screws (included in the bag with the accessories).
- Connect FE conductor via the provided screws (incl. FE-earth springs).



Protection IP65 is only guaranteed on condition that the unit is installed in compliance with the installation instructions.



Never connect when being live!

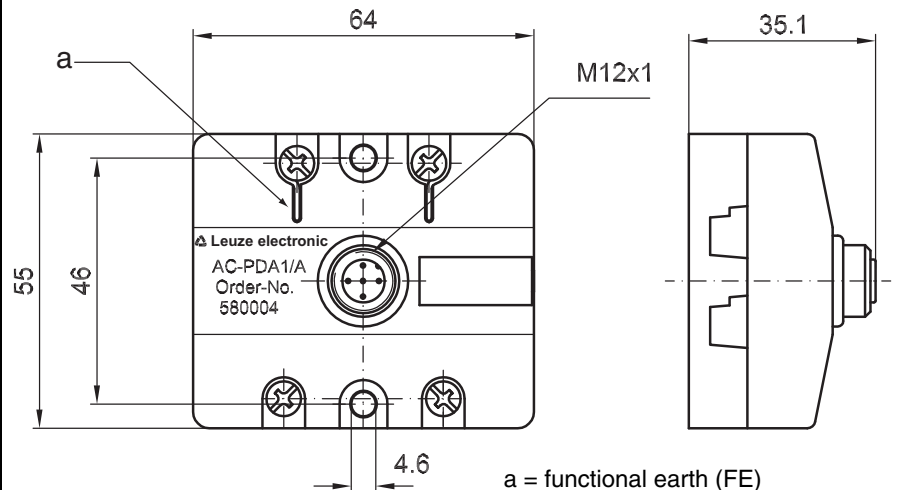


Pin assignment M12	
Pin 1	AS-i +
Pin 2	0 V
Pin 3	AS-i -
Pin 4	+ 24 V DC
Pin 5	FE

(Power rating: max. 4 A)

- Insertion of the AS-i flat cable (yellow) in cable duct "LINE 1"
- Insertion of the 24 Volt aux. power supply (black flat cable) in cable duct "LINE 2".

Dimensional drawings



Order Details

Type		Art. no.
AS-i Adapter	AC-PDA 1/A	580004
M12 5-pole connecting cable, 1 m	CB-M12-1000-5G/MF	548361
M12 5-pole connecting cable, 2 m	CB-M12-2000-5G/MF	548362