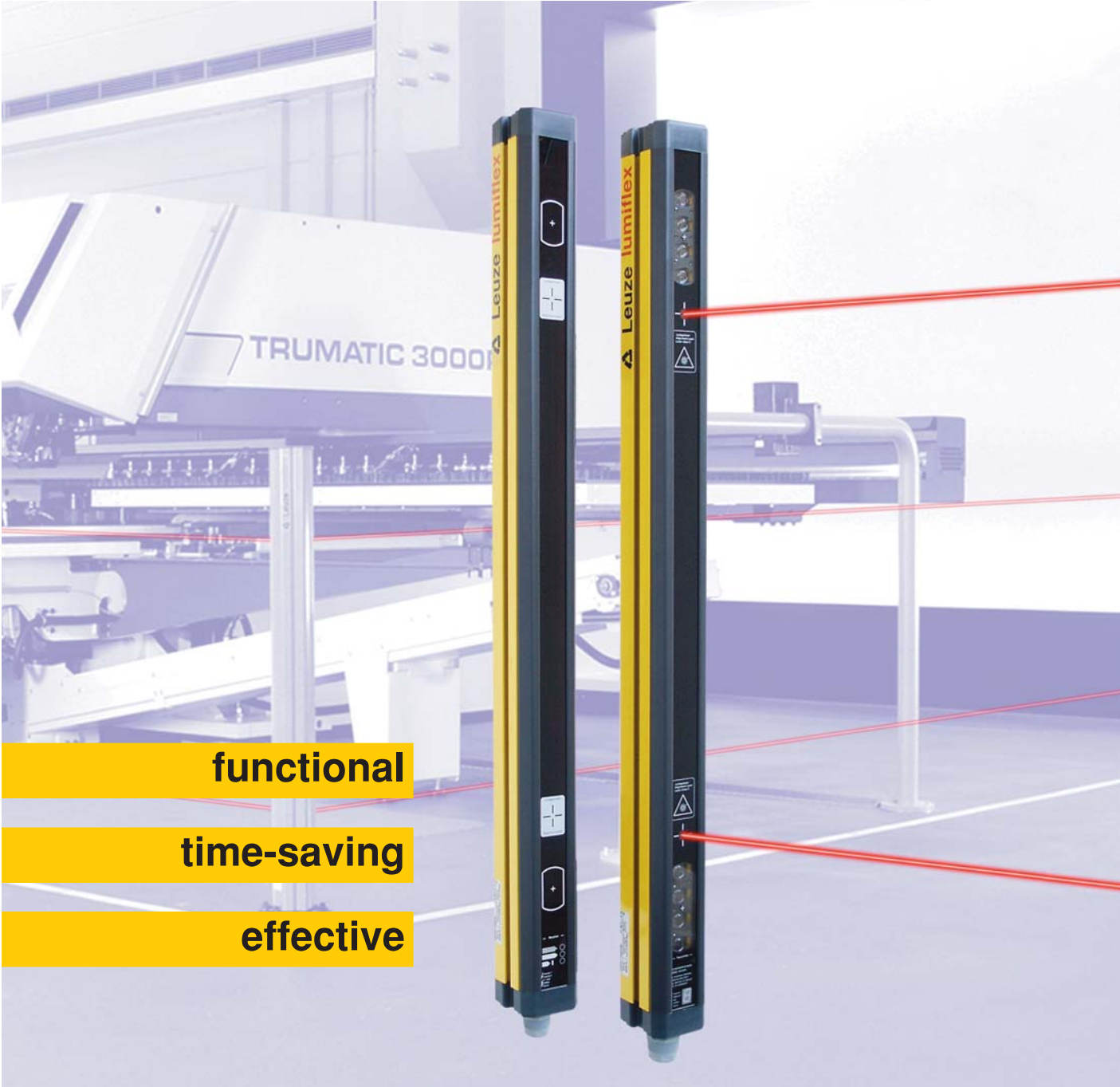


# COMPACTlaser

Multi-beam safety light barriers Type 4  
with integrated laser alignment aid



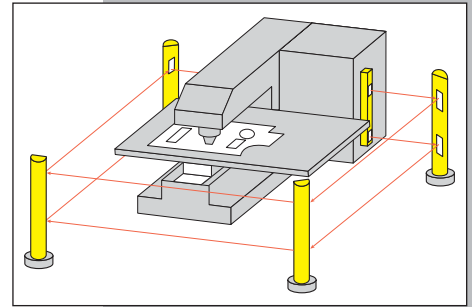
- functional**
- time-saving**
- effective**



## COMPACT/laser: initial startup time – quality of adjustment maximum

Whenever it is a matter of safeguarding machines from all sides, without imposing restrictions on their accessibility, safety light beams combined with deflecting mirror columns are a solution that is at once reliable and economical. Infrared light-beams are used here, to make an invisible protective barrier around the danger zone.

Customers want to have startup time kept to a minimum. At the same time they want to have maximum quality of adjustment. To meet these demands, the type 4 multi-beam safety light barriers of the tried and tested COMPACT series have been equipped with integrated red light adjustment lasers for each light axis. Much thought has been given to the range of accessories, consisting of deflecting mirror columns with integrated spirit levels, and the instructions for setting up are easy to follow – making this an all-round solution that gives the customer maximum benefit for securing access to machines and systems on all sides.



### Your benefits at a glance

- Rapid startup and easy orientation based on red light adjustment lasers for each light axis
- Semiconductor output or AS-i Safety interface available
- Simple preliminary adjustment of the deflecting mirror columns as a result of integrated spirit levels
- Automatic retention of position by the deflecting mirror columns following on mechanical shock, as a result of special spring components
- High quality of adjustment, giving a maximum effective signal from the light barrier and so maximising system availability
- In case of later structural modifications, adjustment can be carried out by the machine operator directly with the help of the integrated laser orientation aid
- 70 m range
- Type 4 as defined by IEC / EN-61496-1, EN-2:2004, beam distances as defined by ISO 13855 (EN 999)
- An all-round solution with optimal benefits to the customer for ensuring the safety of machinery on all sides.

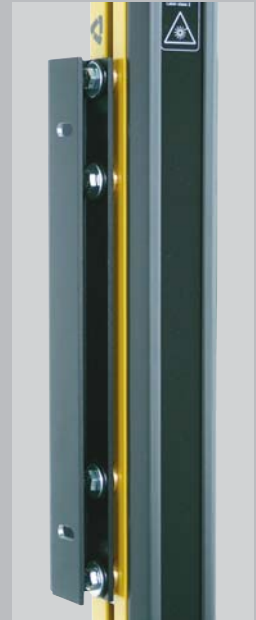




## COMPACTlaser model series: the right solution for every application

COMPACTlaser multi-beam safety light barriers, consisting of the CT transmitter and the CR receiver, are obtainable in 2-beam or 3-beam design, in either case in several output and connection technology variants..

Article no.	Specification	Beam distance	Number of beams	Output components	Connection technology
568600	CT501L/2	500 mm	2		PG 13.5
568601	CR501L/2	500 mm	2	OSSD semiconductor	PG 13.5
568602	CT401L/3	400 mm	3		PG 13.5
568603	CR401L/3	400 mm	3	OSSD semiconductor	PG 13.5
568604	CT501L/2/GW	500 mm	2		DIN 43651, 6-pin + PE
568605	CR501L/2/GW	500 mm	2	OSSD semiconductor	DIN 43651, 6-pin + PE
568606	CT401L/3/GW	400 mm	3		DIN 43651, 6-pin + PE
568607	CR401L/3/GW	400 mm	3	OSSD semiconductor	DIN 43651, 6-pin + PE
568608	CT501L/2/A	500 mm	2	AS-i Safety	M12, 3-pin
568609	CR501L/2/A	500 mm	2	AS-i Safety	M12, 3-pin
568610	CT401L/3/A	400 mm	3	AS-i Safety	M12, 3-pin
568611	CR401L/3/A	400 mm	3	AS-i Safety	M12, 3-pin



### COMPACTlaser accessories

Article no.	Specification	Description
549702	UMC-1002	Deflecting mirror columns with two adjustable individual mirrors **
549703	UMC-1303	Deflecting mirror columns with three adjustable individual mirrors **
540810	UDC-1000	Mounting column for transmitter/receiver (two-beam)
540813	UDC-1300	Mounting column for transmitter/receiver (three-beam)
5603301	BT-SSD-270	Swivel mount with shock absorbers *

\* For mounting either the transmitter or the receiver, in each case a mount with shock absorbers of type BT-SSD-270 is required.

\*\* Ground anchor mounting kit and drilling template included in UMC standard delivery.



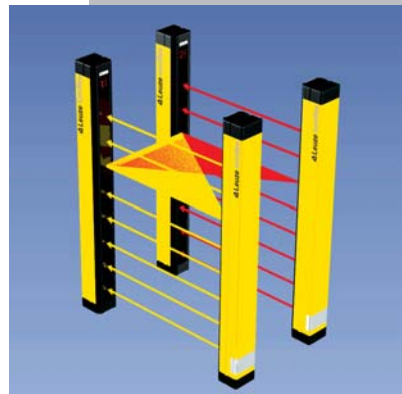
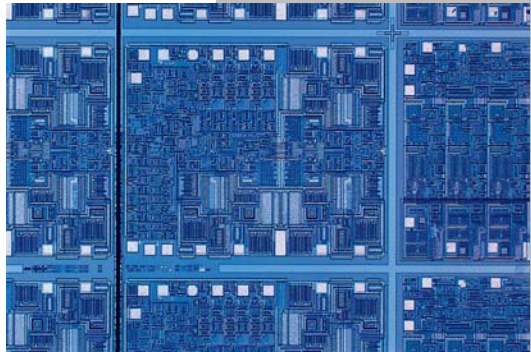
Drilling template, MagnetKey and alignment instructions are also included in the standard delivery package. The complete solution also includes UDC fastening columns and UMC deflection mirror columns with patented spring elements in the base for automatically readjusting position after a column has been bumped or shaken, etc.



## COMPACTlaser – sturdy, high-quality safety system for maximum machine productivity

In addition to reliably detecting the presence of persons, the most important features of the product for customers are absence of malfunctions and robustness of outside influences. The latest ASIC technology, combined with patented intelligent processes for optical channel separation and fault blanking, guarantee maximum availability.

- Selecting different transmission channels makes it possible to run devices next to each other with no problems
- The “d-scan” multiple evaluation process for problem-free operation with extreme interference light (welding sparks, strobe lights, etc.)
- Laser-precise adjustment guarantees maximum reception strength and machine availability
- Patented spring elements in the deflection mirror columns for automatic repositioning after being bumped or shaken



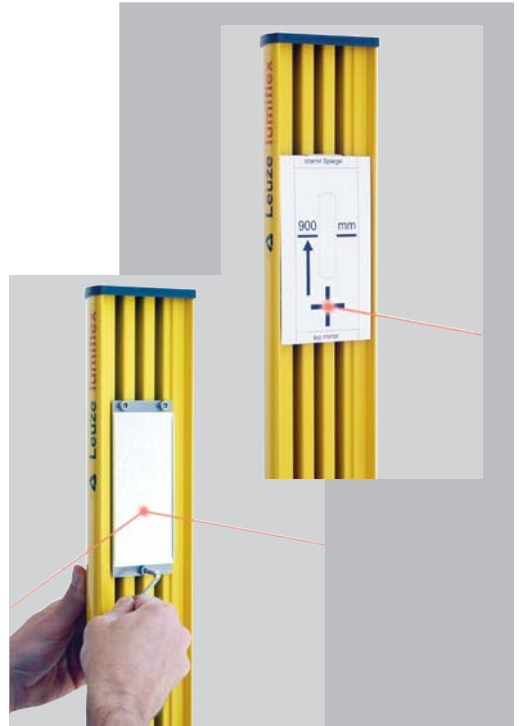
### The most important technical specifications for COMPACTlaser

	COMPACTlaser						
Safety category	Type 4 (self-monitoring), IEC / EN 61496-1, -2						
Number of beams	2 or 3 – design in keeping with ISO 13855 (EN 999)						
Beam distance	500 mm, 400 mm (design in keeping with ISO 13855 (EN 999))						
Integrated adjustment laser	Capacity < 1mW, Wavelength 650 nm (visible red) Laser class 2 as defined by EN 60825:1994+A1:2002+A2:2001						
Deflection range (min, max)	6 – 70 m						
Number of deflections	0	1	2	3	4	5	6
Maximum deflection range (m)	70	55	48	42	37	32	28
Response time	5 ms, or 8 ms when double-scan functionality is enabled						
Enclosure rating	IP 65						
Operating temperature	0 ... + 55° C						
Power supply	24 V DC ± 20 %						
Dimensions	Cross section 55 x 52 mm, length 684 mm or 984 mm						

## COMPACTlaser: the benefits to the customer lie in the details

### Save valuable time with systematised adjustment!

Separate red light adjustment lasers for each light axis, adjustment templates for the individual mirrors, target markings on the receiver and a comprehensible and well thought out set of instructions for setting up – all these add up to a time saving of more than 50% as compared with traditional technology and procedures.



### Touch and go – simple activation of the adjustment laser by just touching the front panel

By applying the MagnetKey just for a second to the front panel of the transmitter, it is a quick and easy matter to activate the red light adjustment lasers separately for each light axis – for 14 minutes in each case.



### Everything on an even keel

UMC deflecting mirror columns and UDC mounting columns are equipped with spirit levels and adjusting screws, to facilitate precise vertical and axial orientation. Spring components in the foot of the column ensure automatic retention of position following on mechanical shock. Standard delivery includes a complete mounting kit, along with top quality ground anchors and a drilling template.