

Art-No. 604124



This adapter enables series connection of SOLID-2 Safety Light Curtains, and series connection with standard light beam safety devices is also possible here by connecting to a test monitoring unit, such as the TNT35, or a safety interface, such as the MSI-m.

**Note!**  
The Cascading Adapter may only be used in combination with a SOLID-2 Safety Light Curtain.

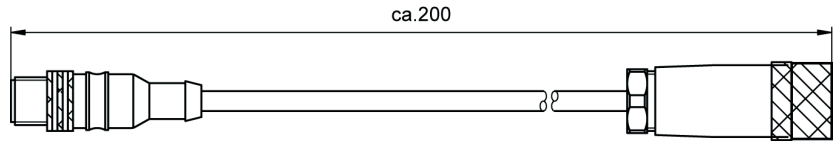
**Features**

- Enables cascading of type 2 safety light curtains, e.g. SOLID-2 in combination with a test monitoring unit, such as TNT 35.
- Series connection with type 2 standard light beam safety devices is also possible.
- 5-pin M12 connection.

Subject to change without prior notice

Leuze electronic GmbH + Co. KG  
info@leuze.de • www.leuze.com

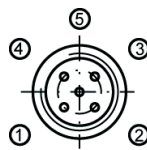
**Dimensional drawing**



**Electrical connection**

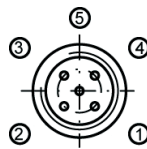
Attach the Cascading Adapter between the SOLID-2 Receiver and the standard connecting cable.

**Plug:**



Pin	Color	Inputs/outputs
1	Brown	+24 V DC
2	White	n.c
3	Blue	0 V
4	Black	Signal output
5	Gray	FE shield

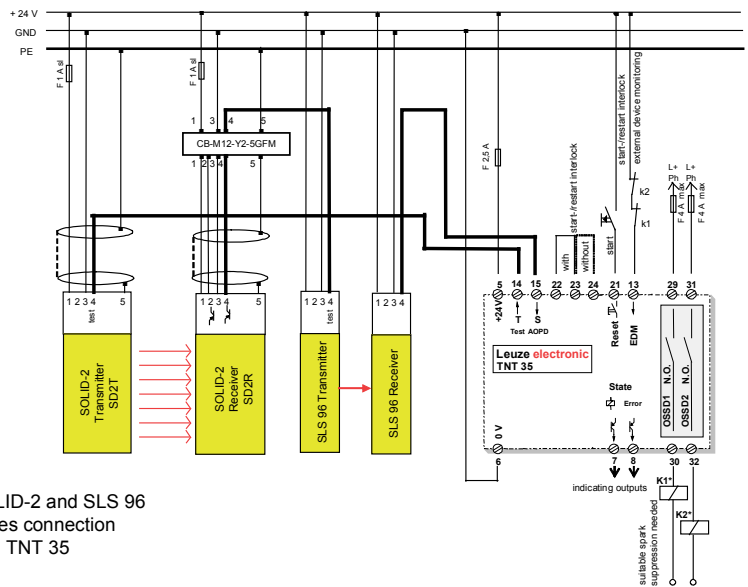
**Socket:**



Pin	Color	Inputs/outputs
1	Brown	+24 V DC
2	-	OSSD2
3	Blue	0 V
4c	-	OSSD1
5	Gray	FE shield

Connect pin-4 plug (output) to downstream evaluation unit e.g. TNT 35.

**Connection example**



SOLID-2 and SLS 96 series connection with TNT 35

**Note!**  
In addition to the response time of the test monitoring unit, the max. response time for the test request must also be calculated for the response time of the cascading sensors.

**Ordering information**

Article no.	Article	Description
429065	CB-M12-Y2-5GFM	SOLID-2 Cascading Adapter

Liebigstrasse 4  
82256 Fuerstenfeldbruck / Germany

Phone +49 8141 5350-0  
Telefax +49 8141 5350-190

2009/01